

SIRUBA®

銀爺牌工業用縫紉機

INDUSTRIAL SEWING MACHINE

700F ATTACHMENT

零件圖 PARTS LIST

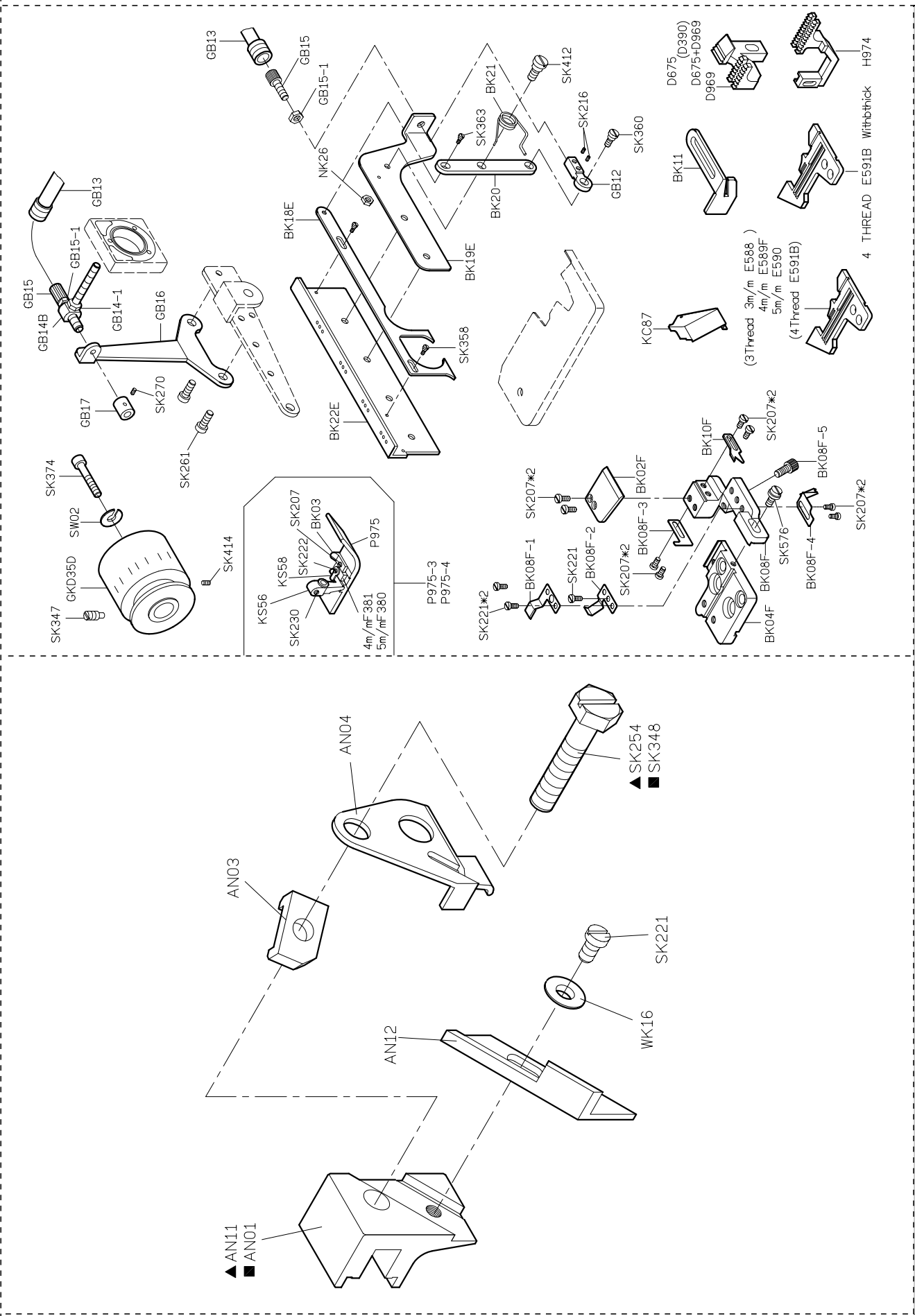


From the library of: Diamond Needle Corp

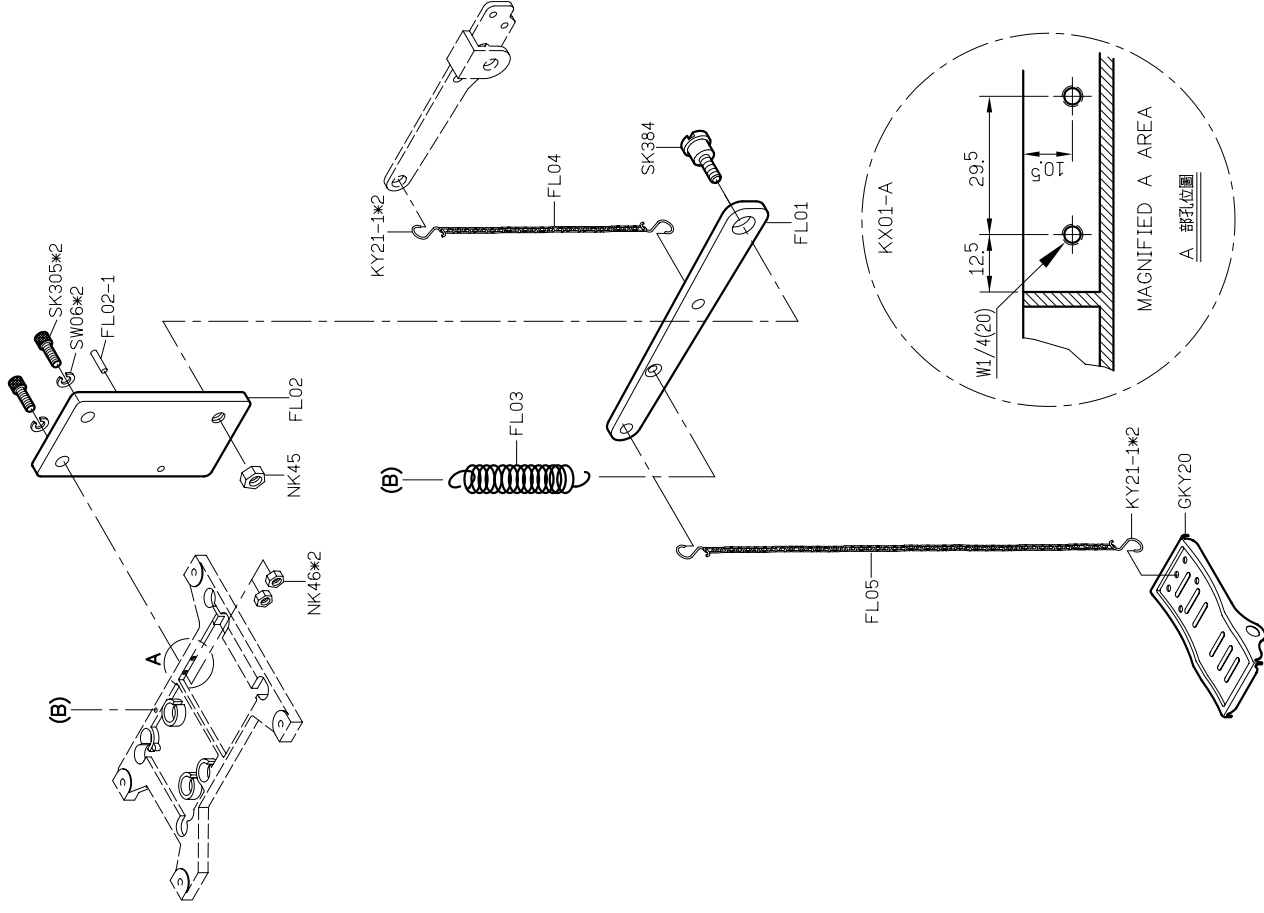
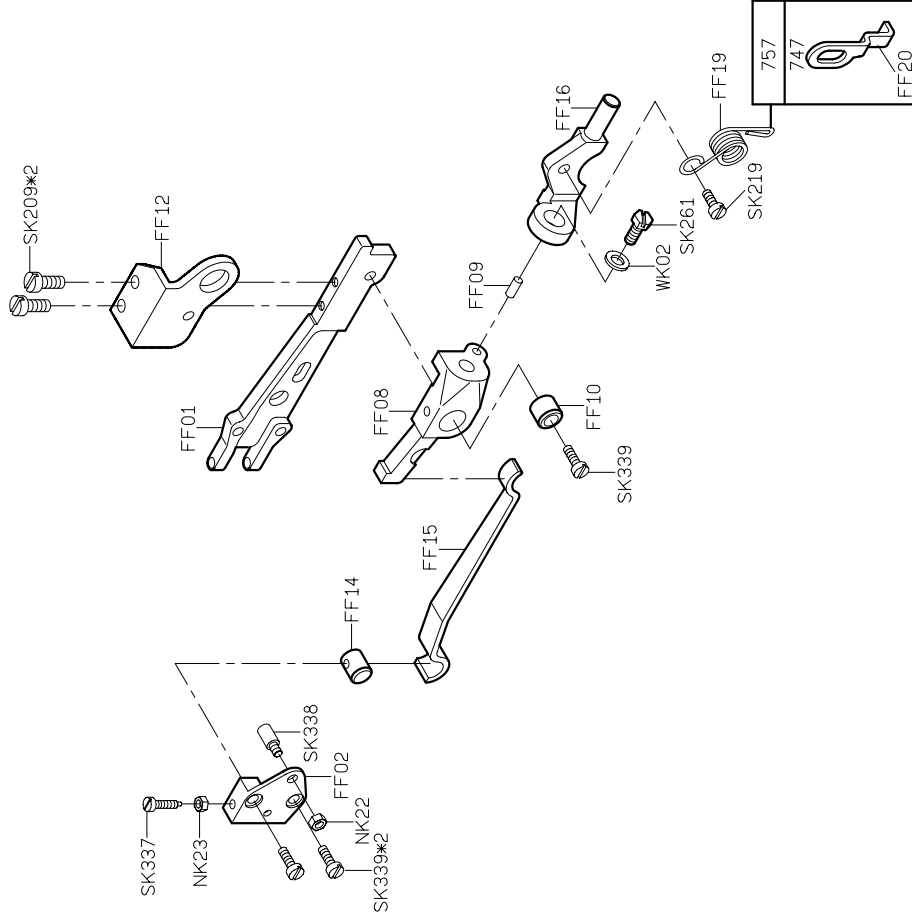
CE

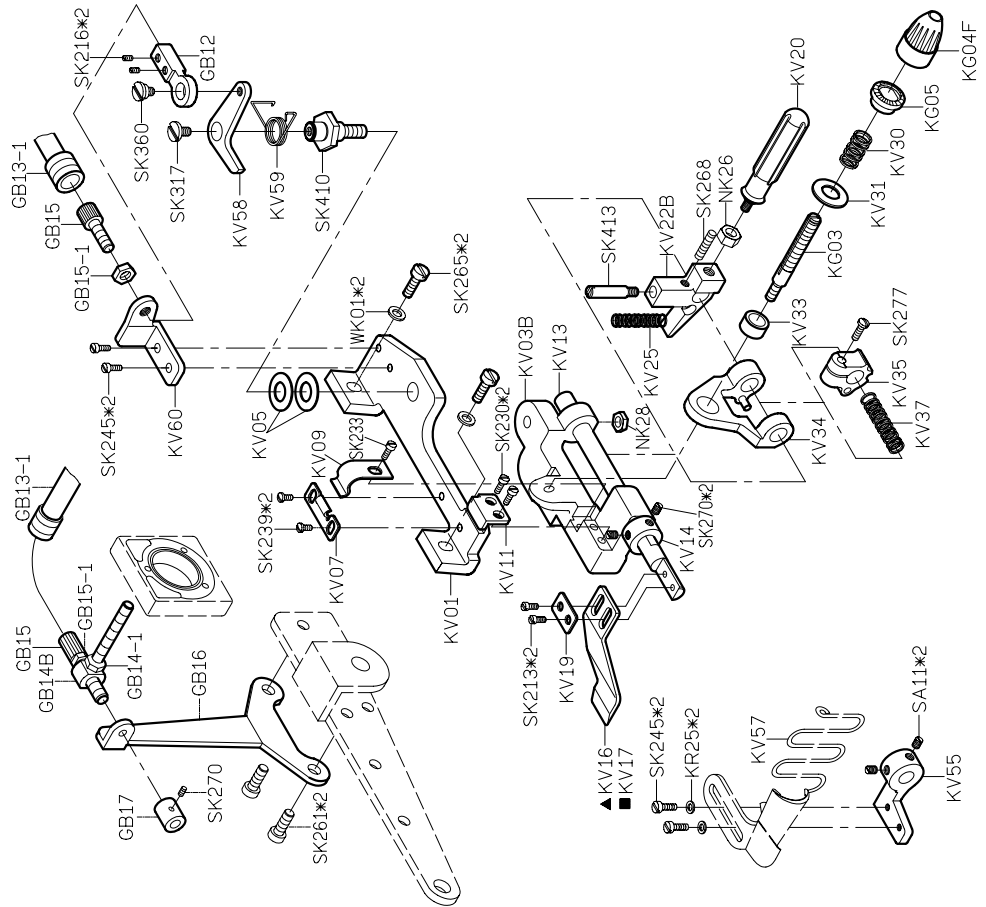
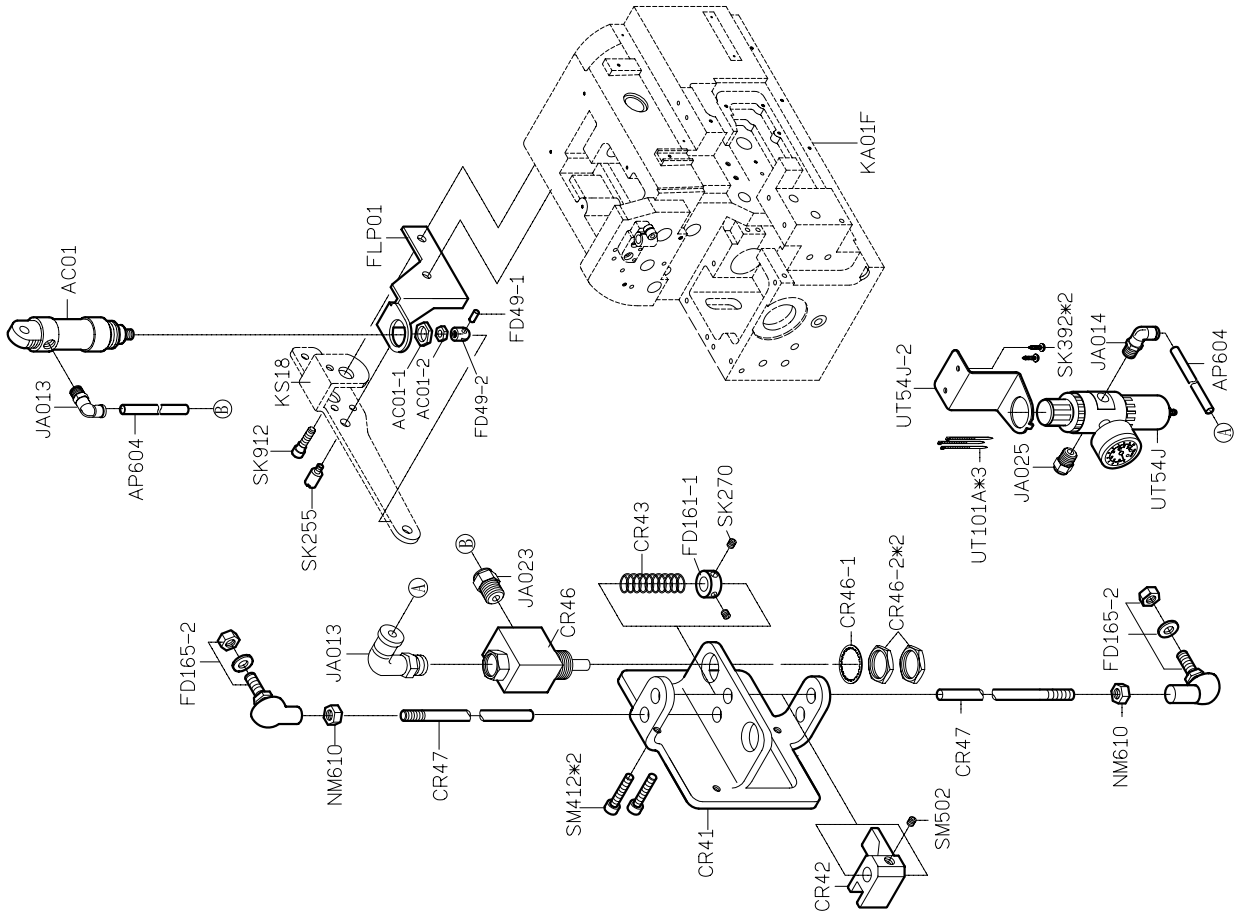


高林股份有限公司
KAULIN MFG. CO., LTD.



PARTS LIST FOR AN GROUP From the library of: **Diamond Needle PARTS LIST FOR BK-F GROUP**

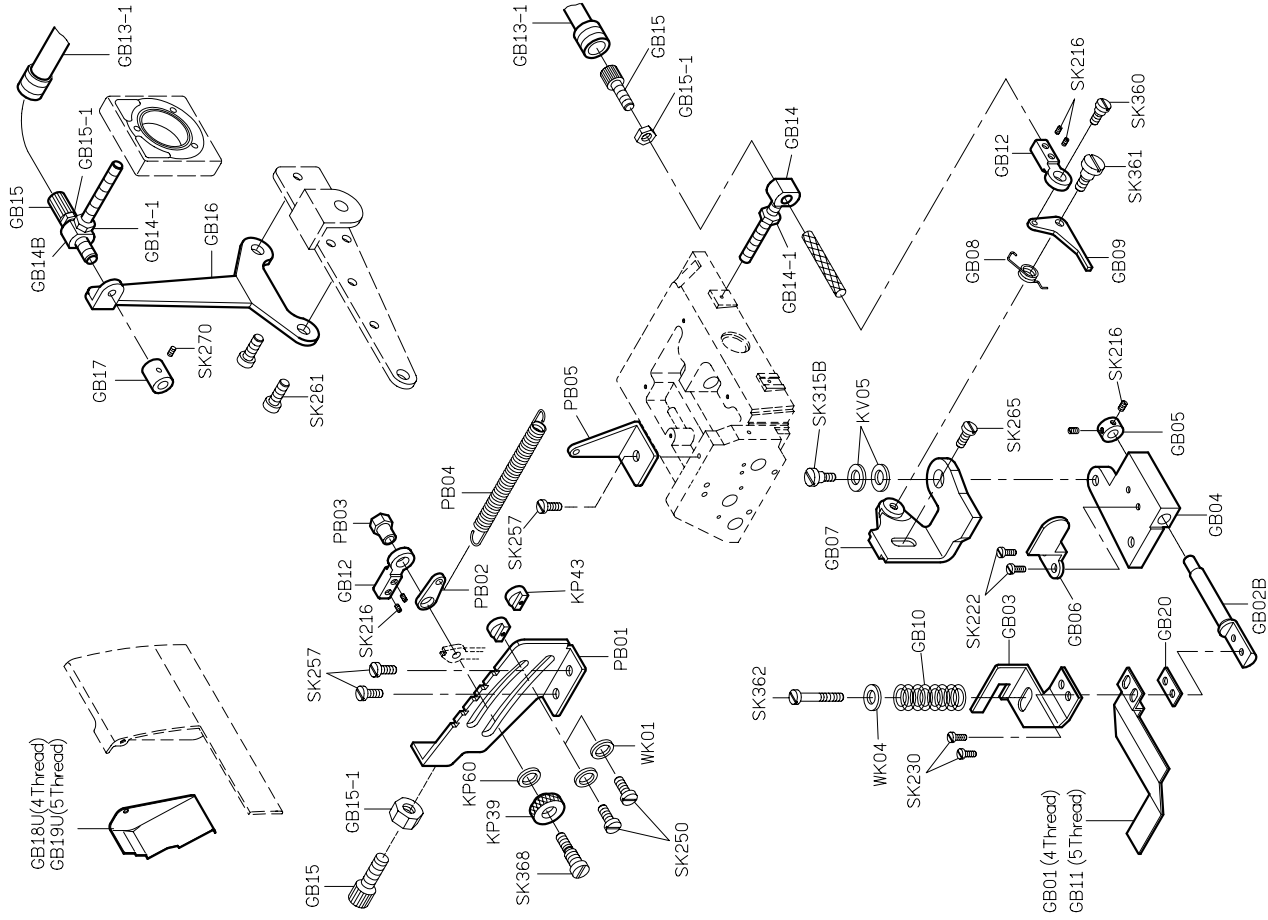




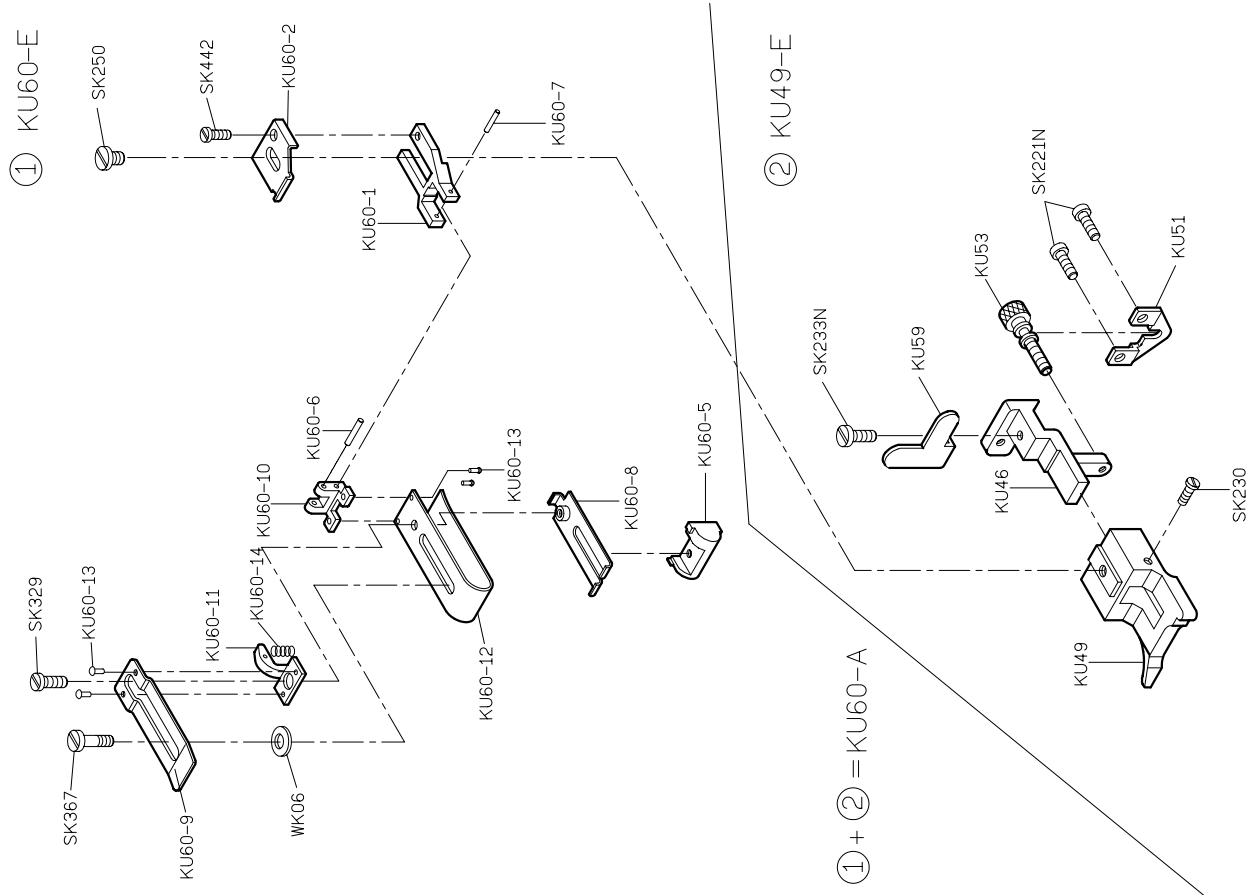
	4	2				
5	3	5	8	H957	H957	P508-A
	5	5	10	E986	E986	P509-A
				H959	H959	P136-A
				D996 (D958+D095)	D996	KV16
				D002 (D008+D502)	D002	KV17
				D003 (D956+D502)	D003	KV17

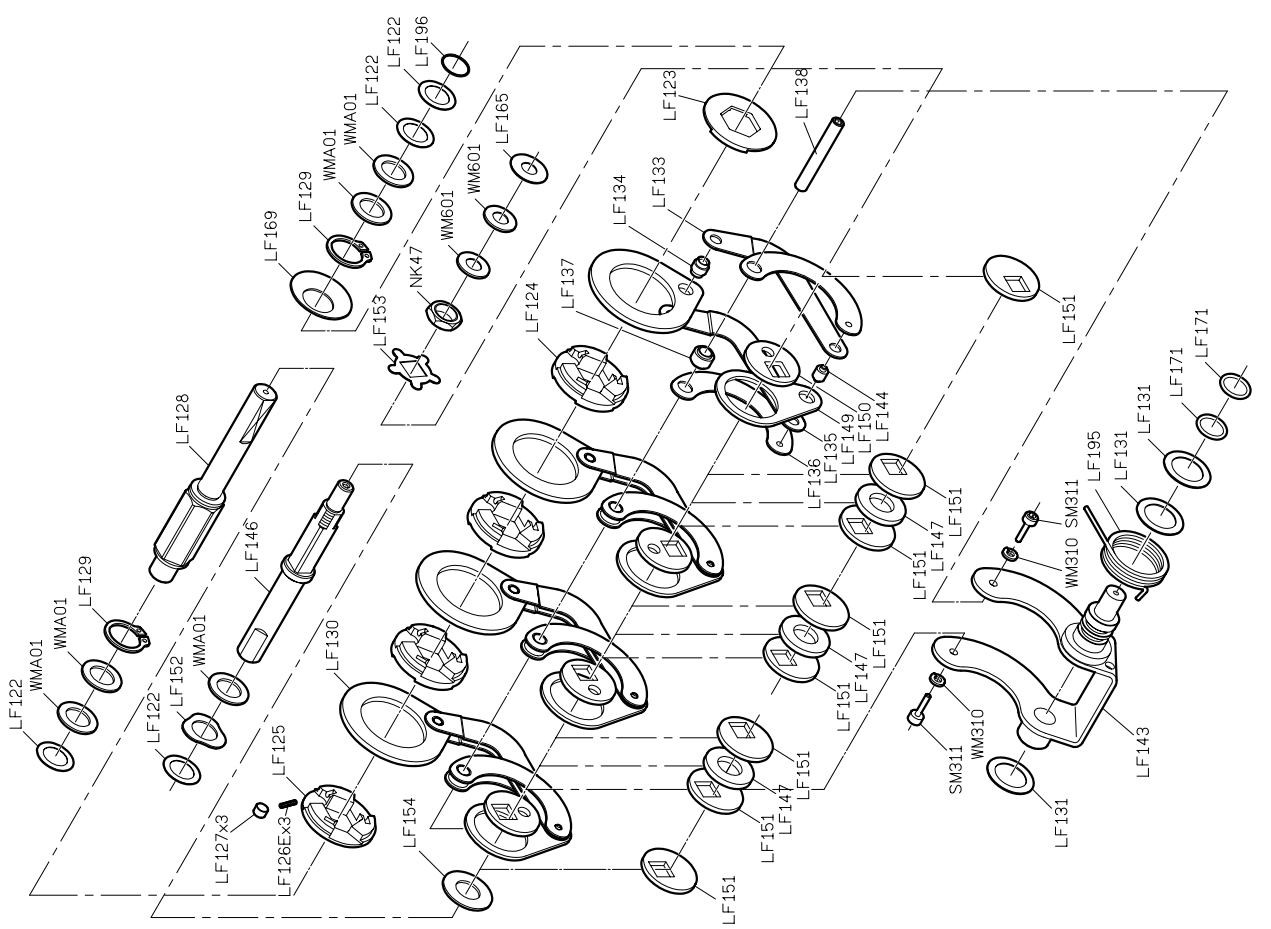
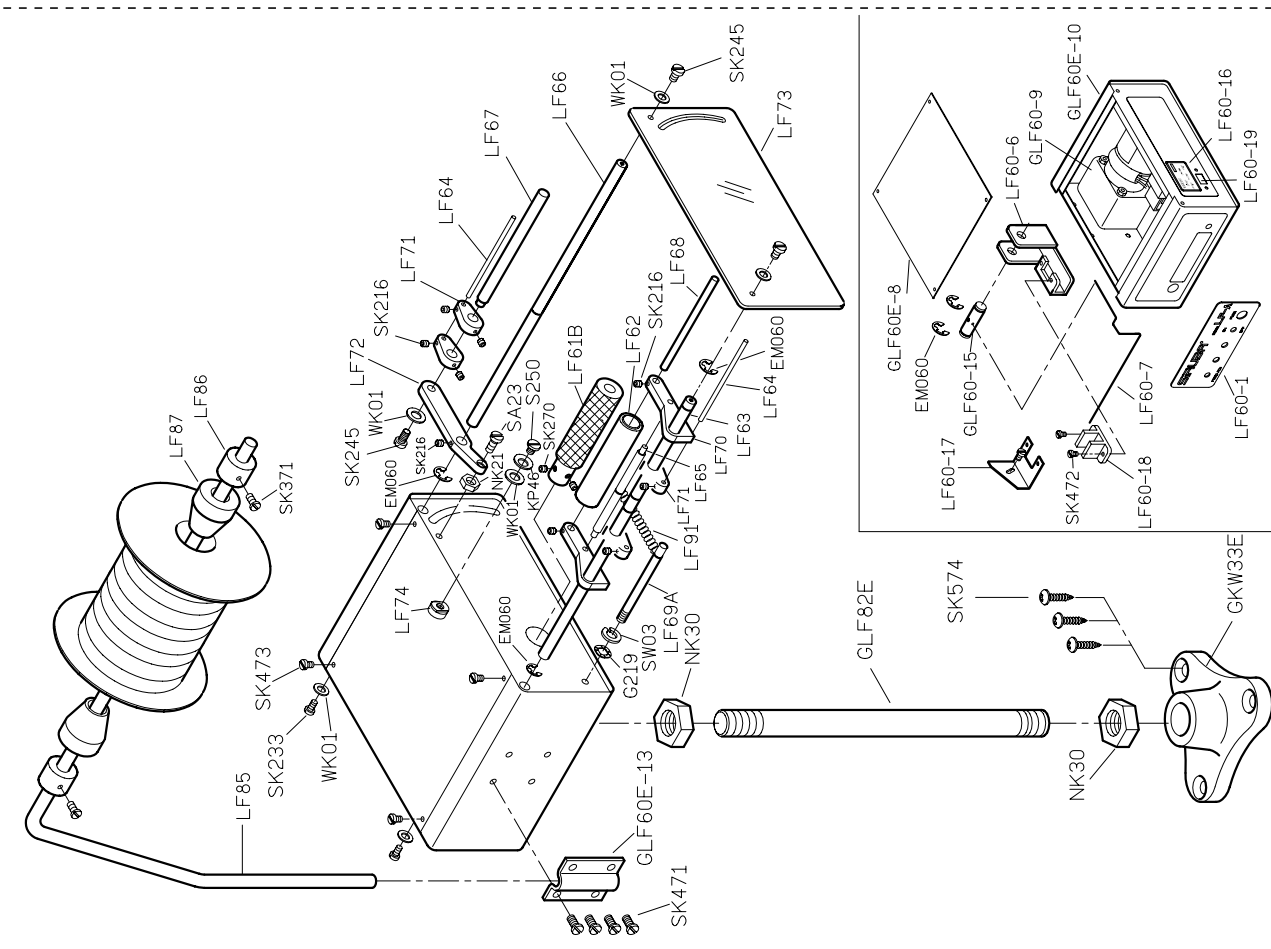
PARTS LIST FOR FLP GROUP From the library of: **Diamond Needle Co** **PARTS LIST FOR GA GROUP**

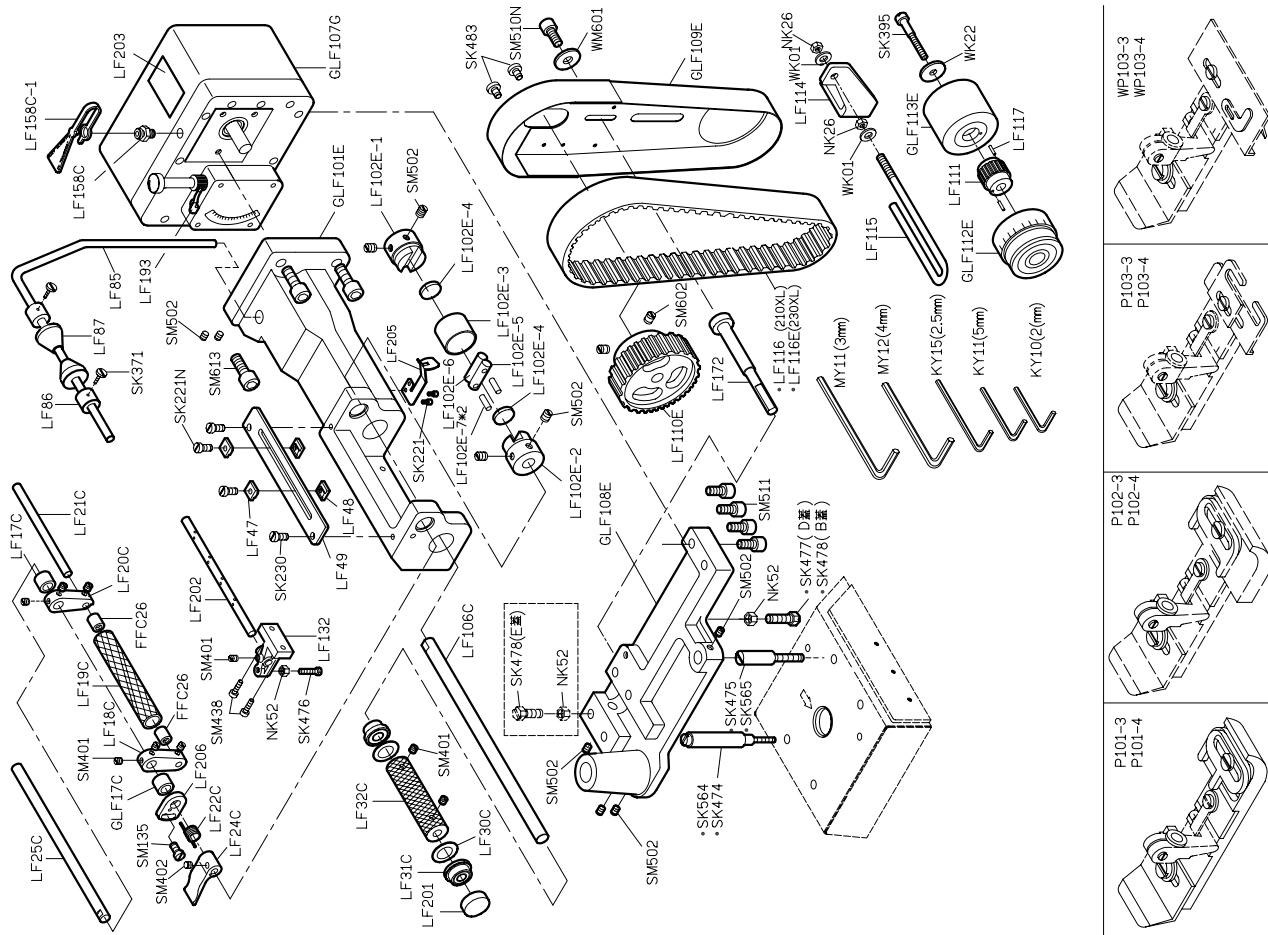
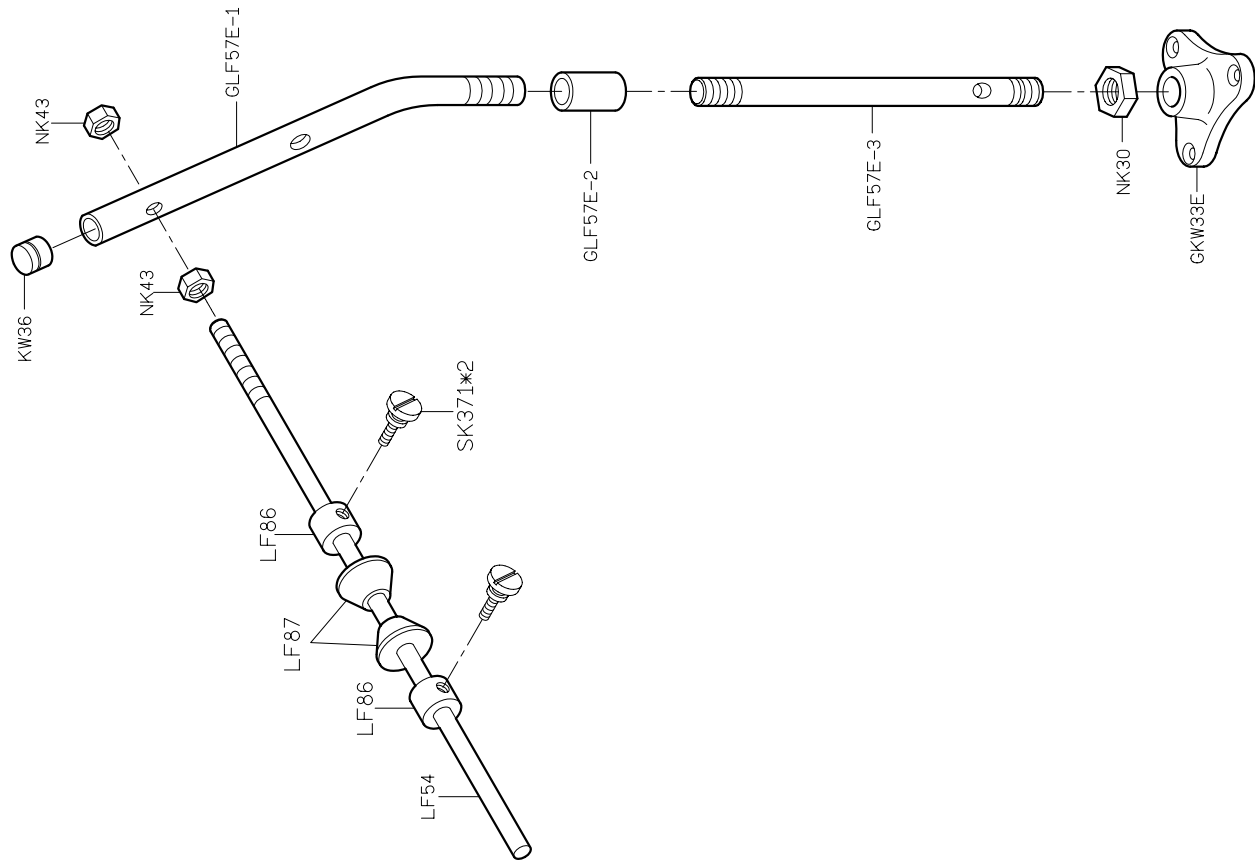
PARTS LIST FOR GB GROUP



PARTS LIST FOR KU60-A GROUP

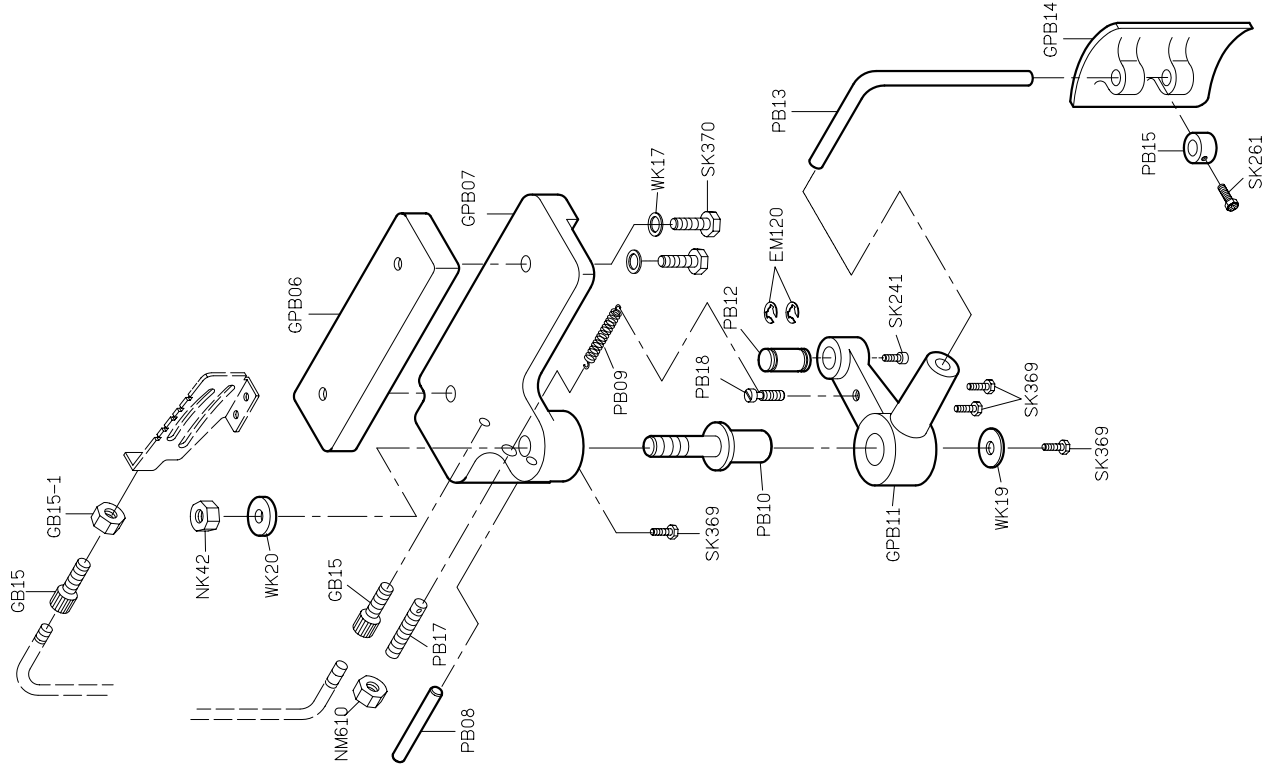




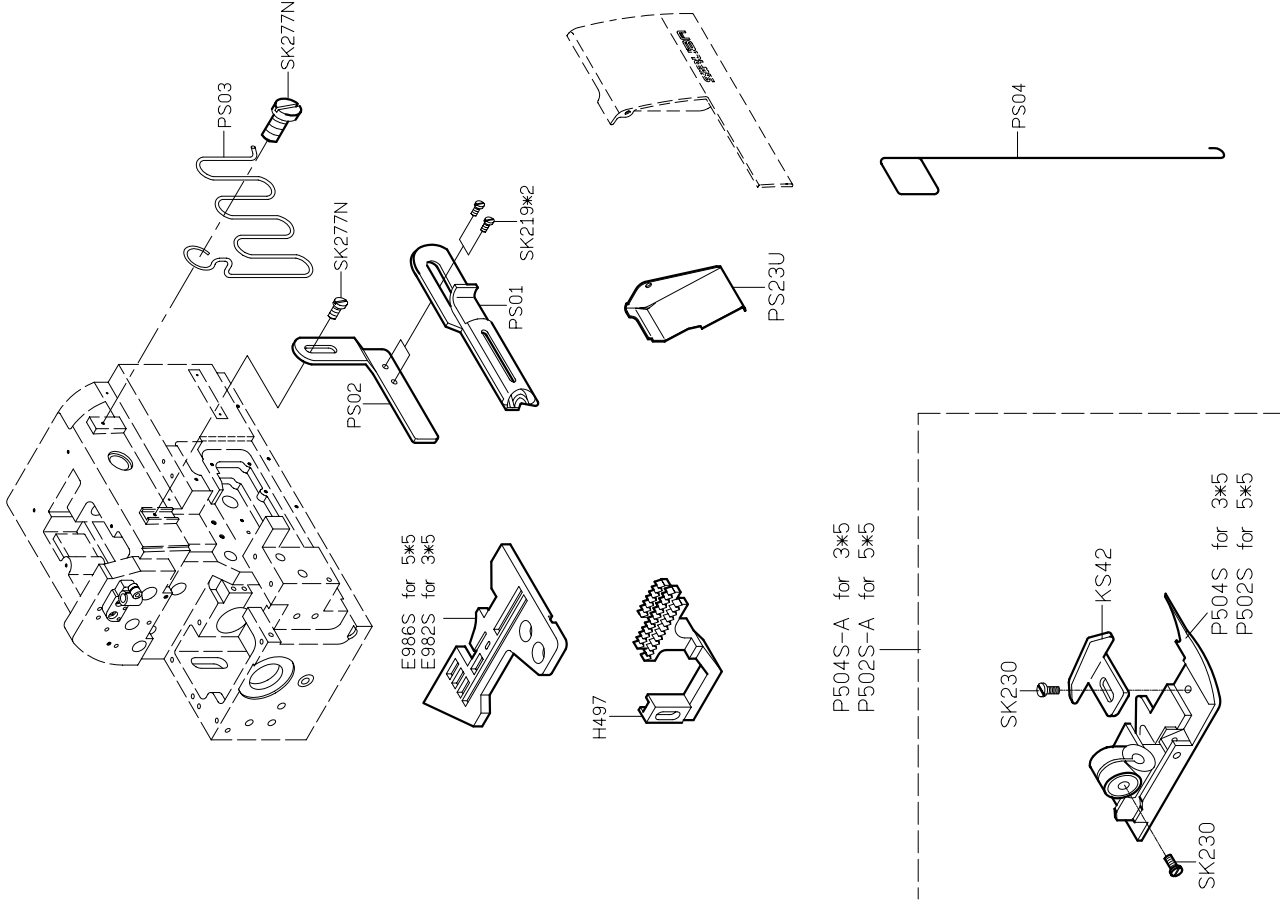


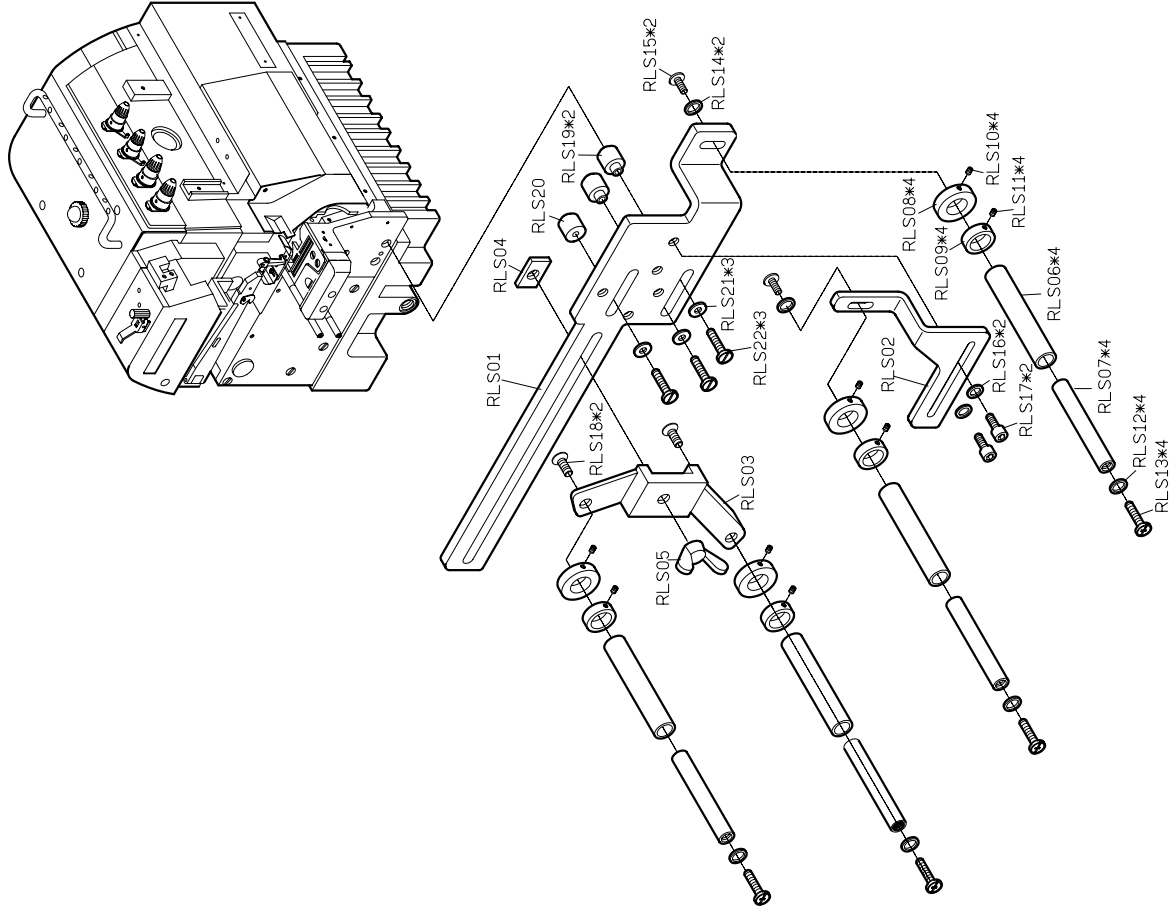
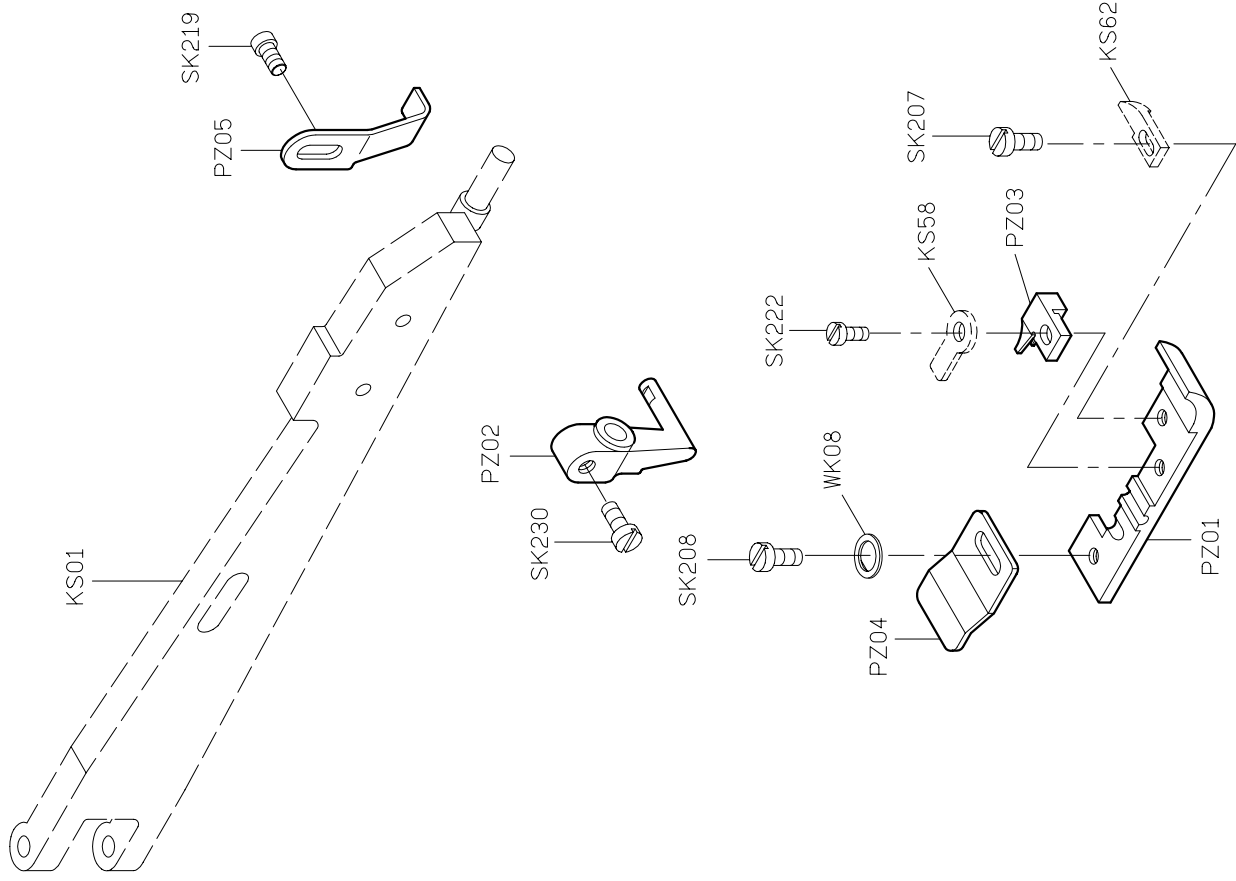
PARTS LIST FOR LFC-2 GROUP From the library of: **Diamond Needle Co** **PARTS LIST FOR LS GROUP**

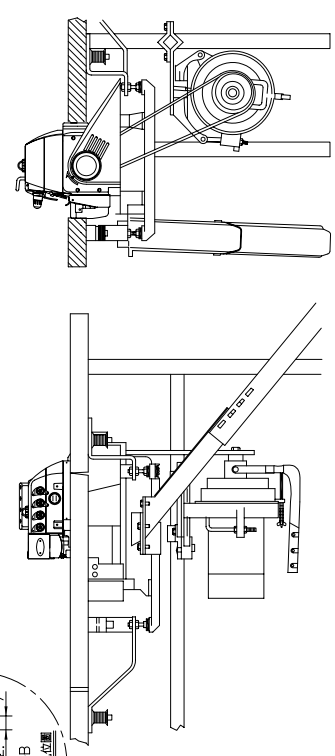
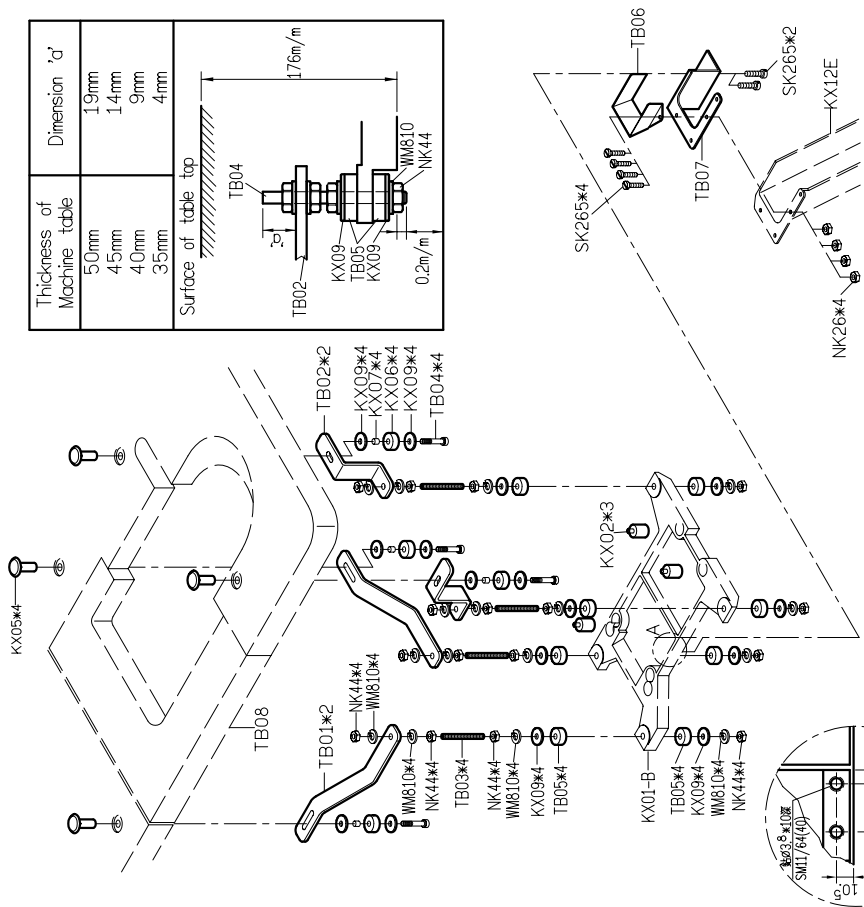
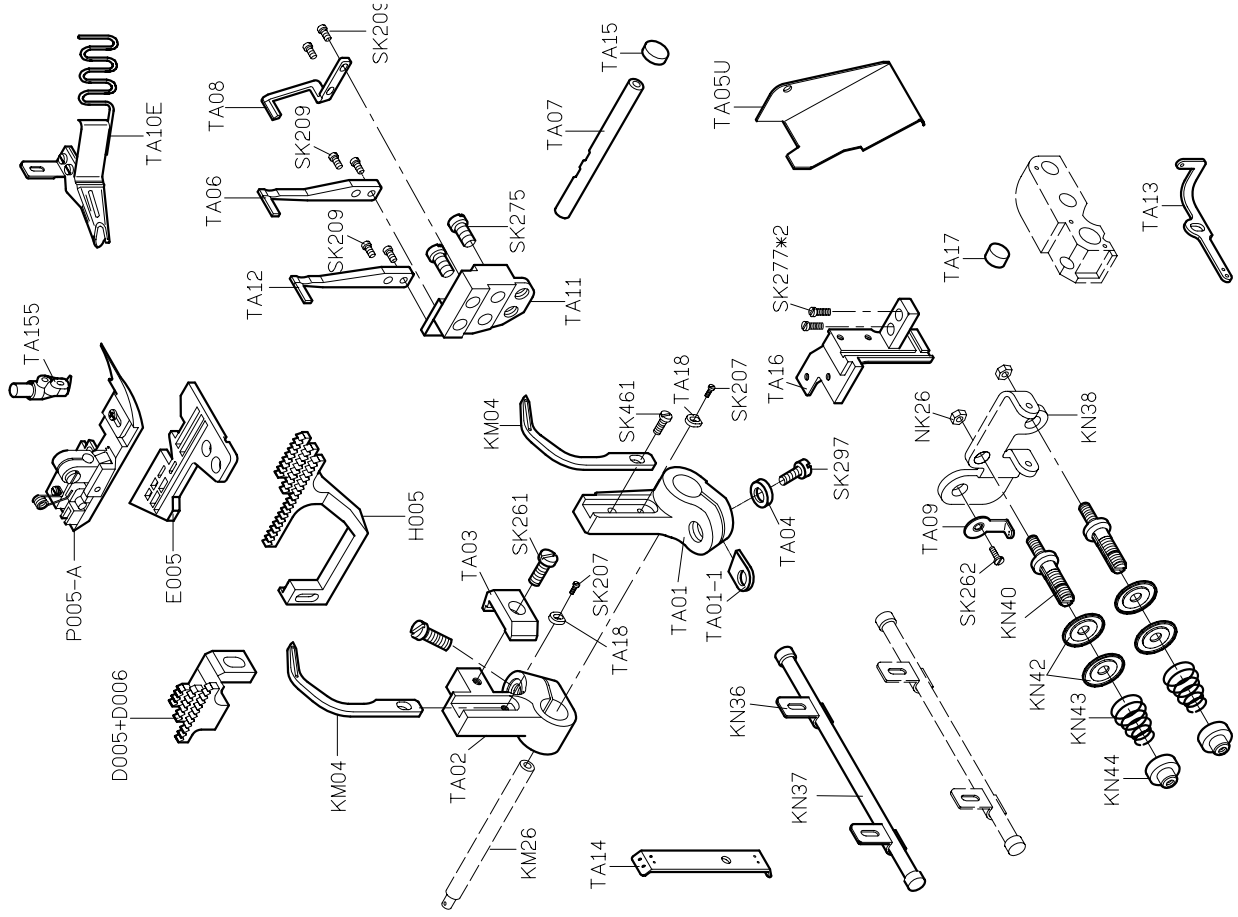
PARTS LIST FOR PB GROUP



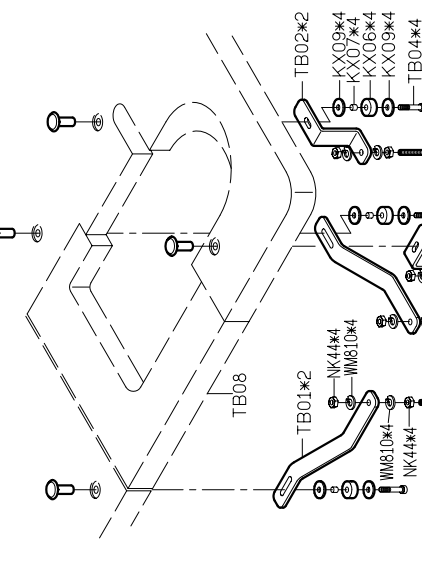
PARTS LIST FOR PS GROUP

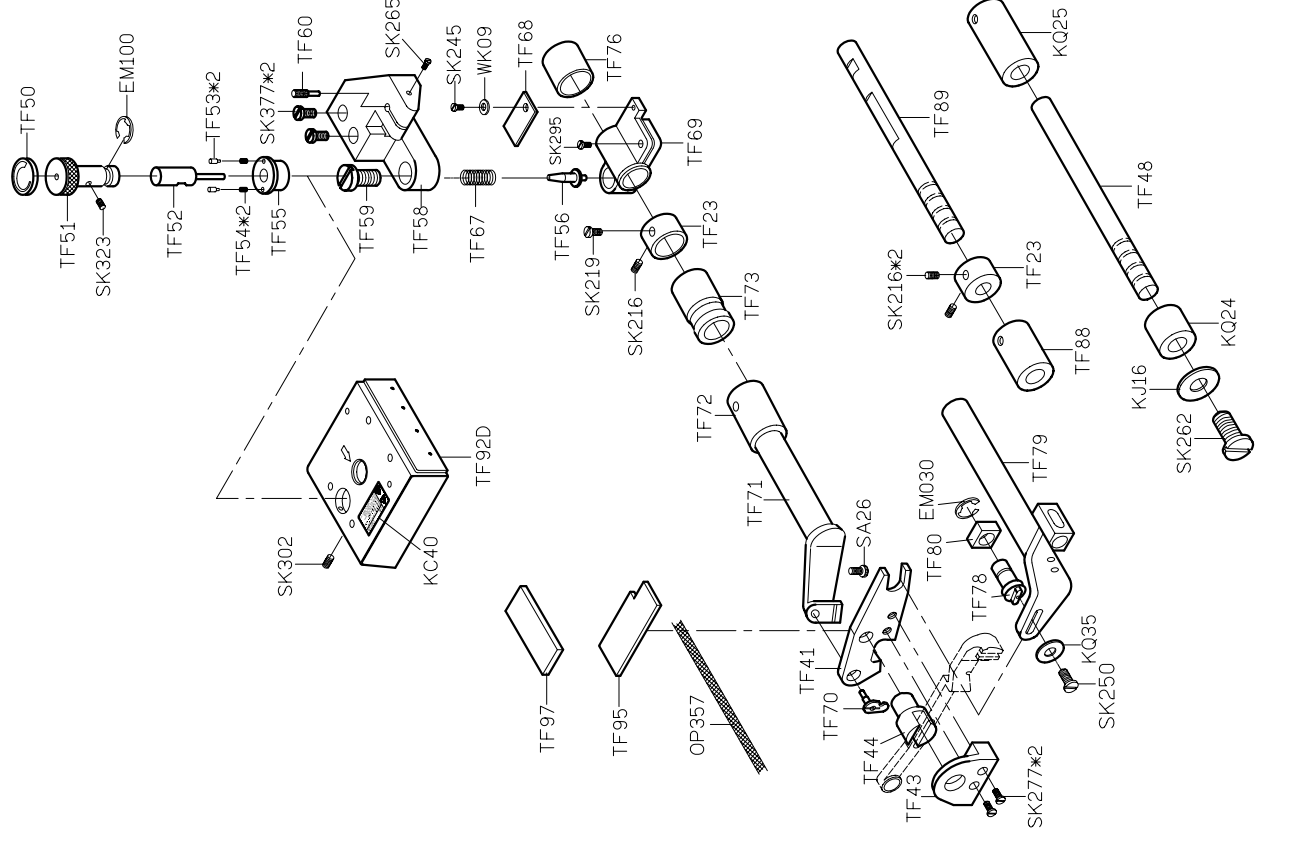
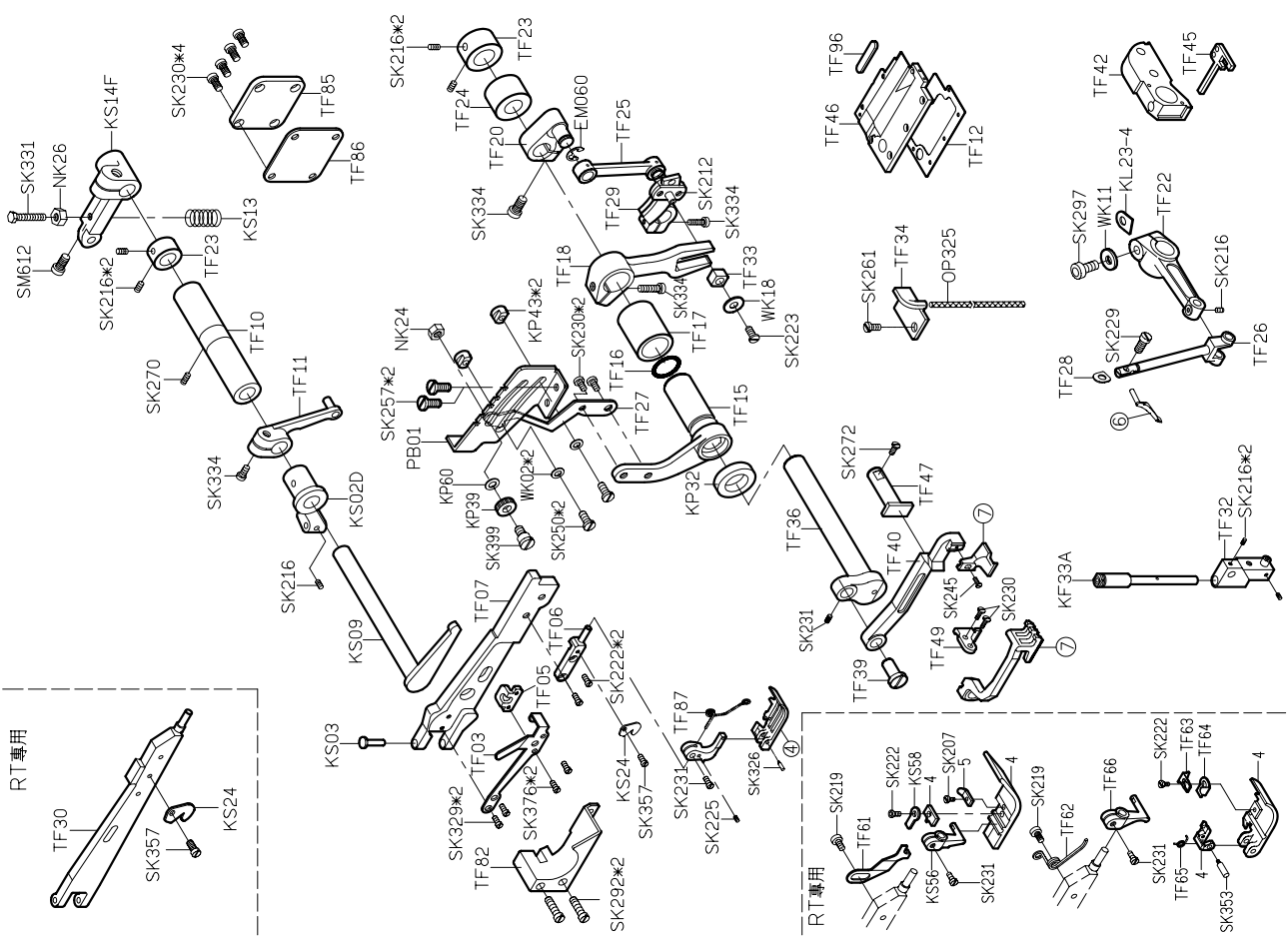
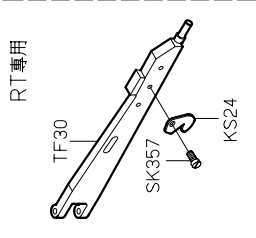






Thickness of Machine table	Dimension 'd'
50mm	19mm
45mm	14mm
40mm	9mm
35mm	4mm

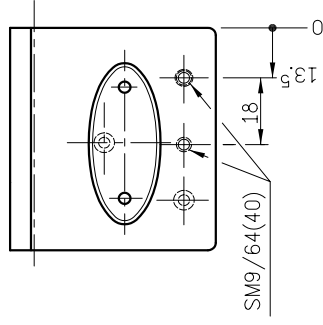
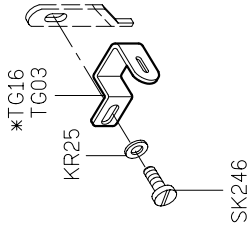




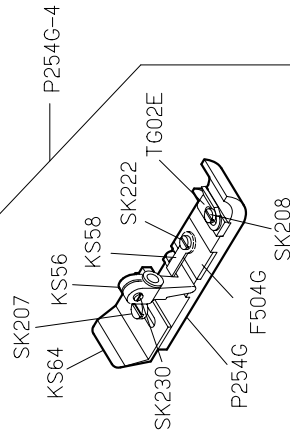
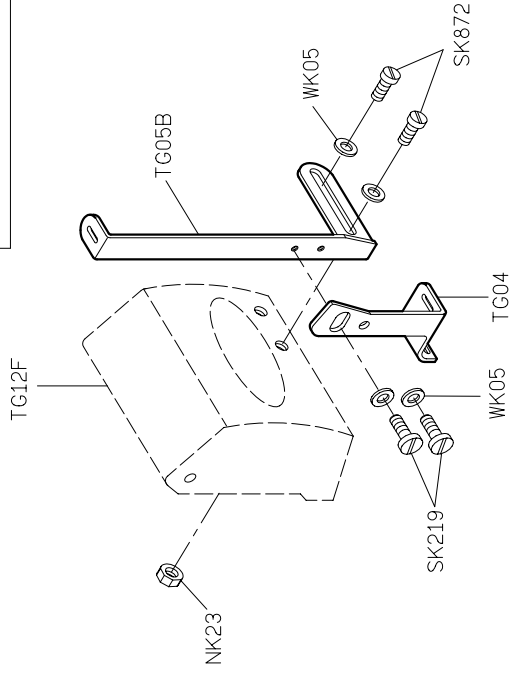
PARTS LIST FOR TF (1) GROUP in the library of: Diamond Needle PARTS LIST FOR TF (2) GROUP

PARTS LIST FOR TG GROUP

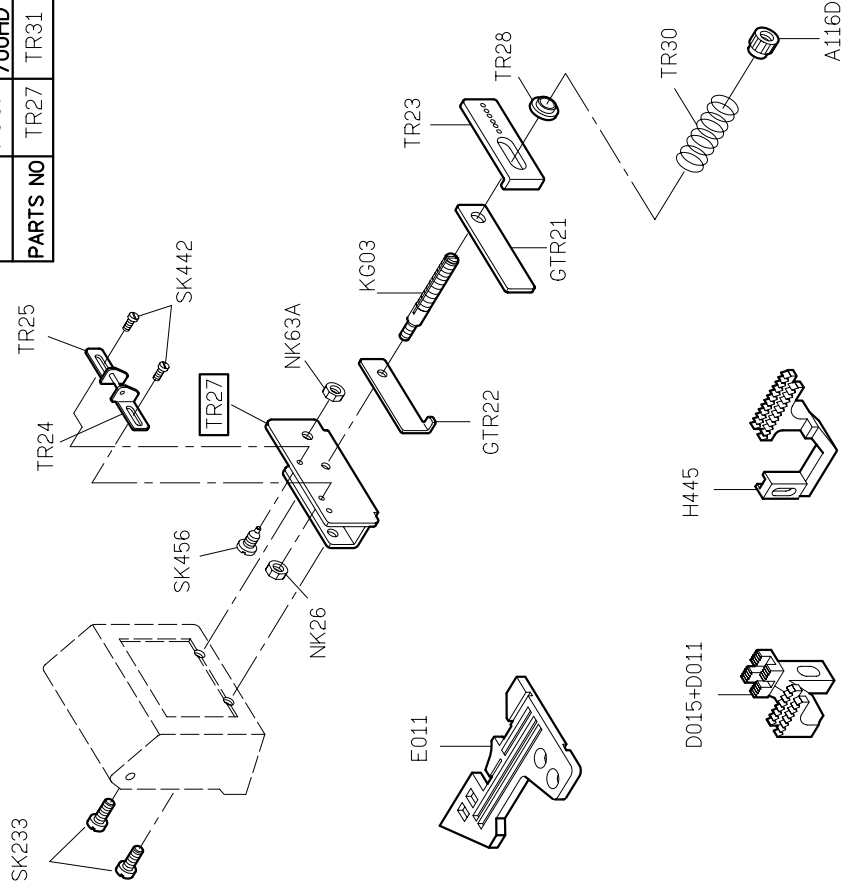
PARTS LIST FOR TR GROUP



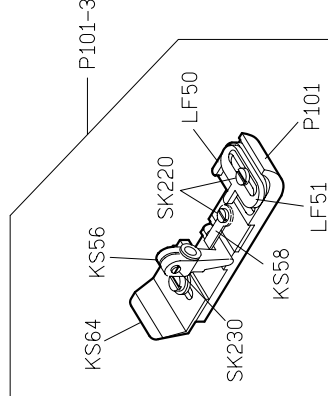
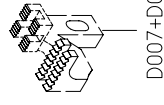
TG12F HOLE DIAGRAM

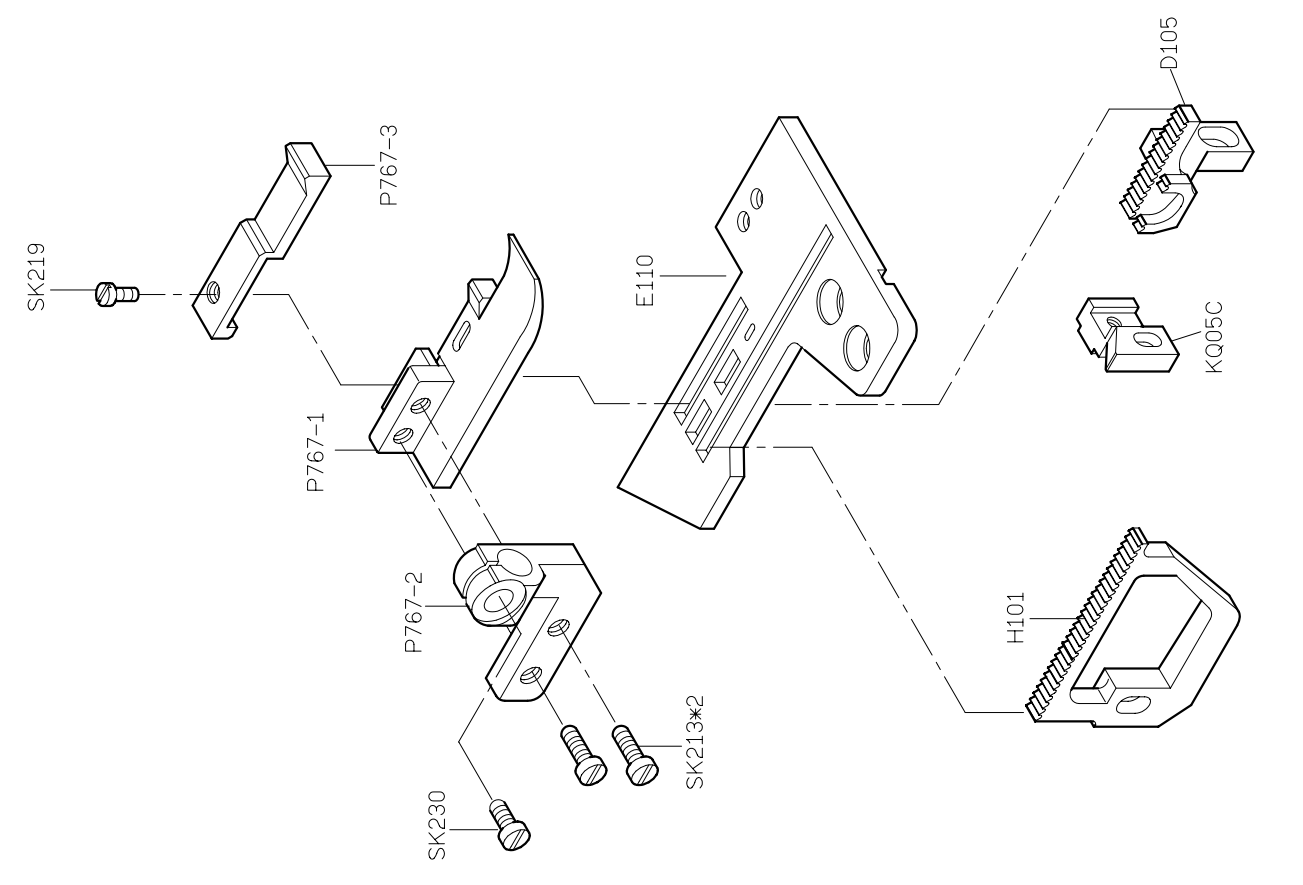
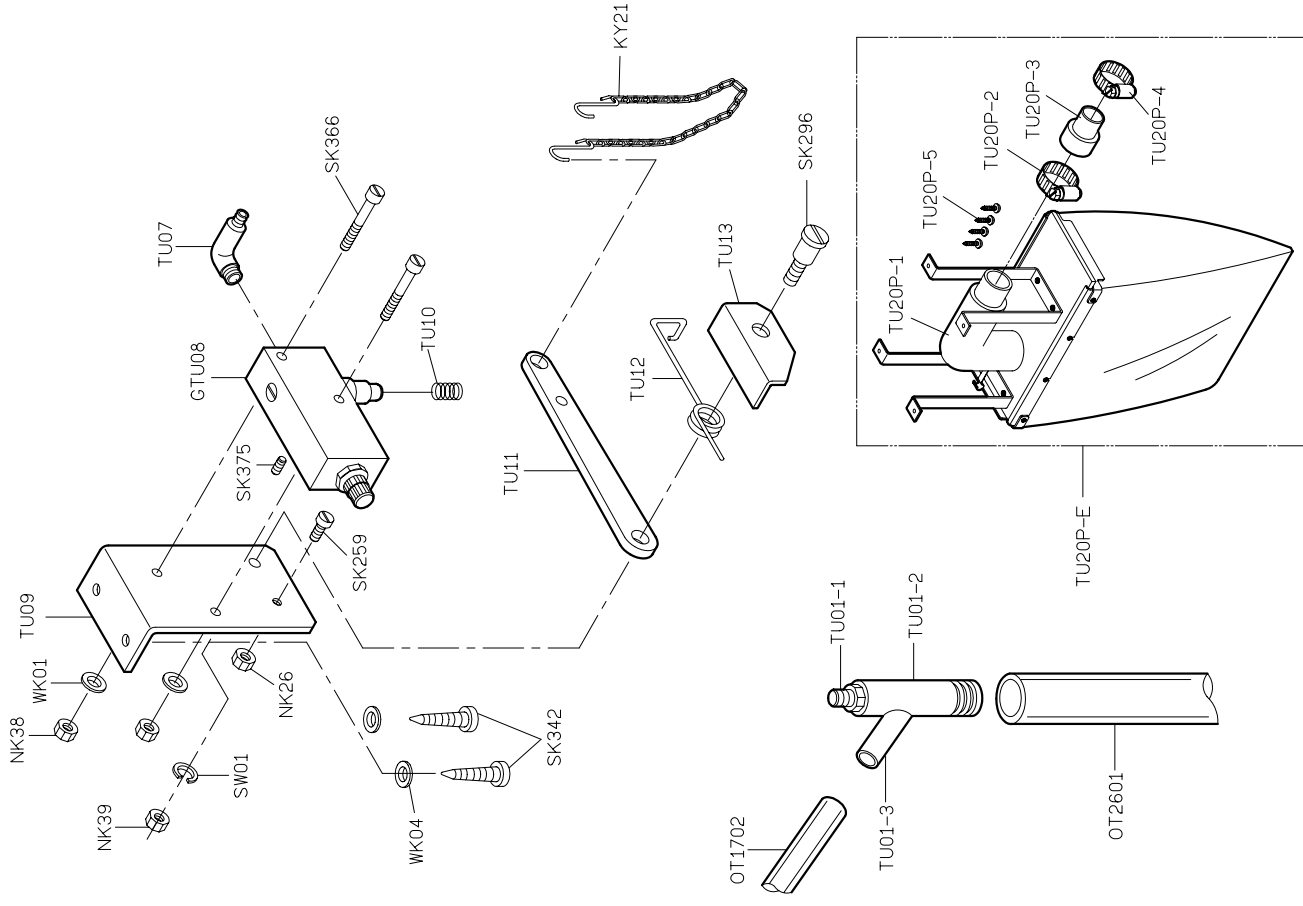


MODEL	700F	700H
PARTS NO	TR27	TR31



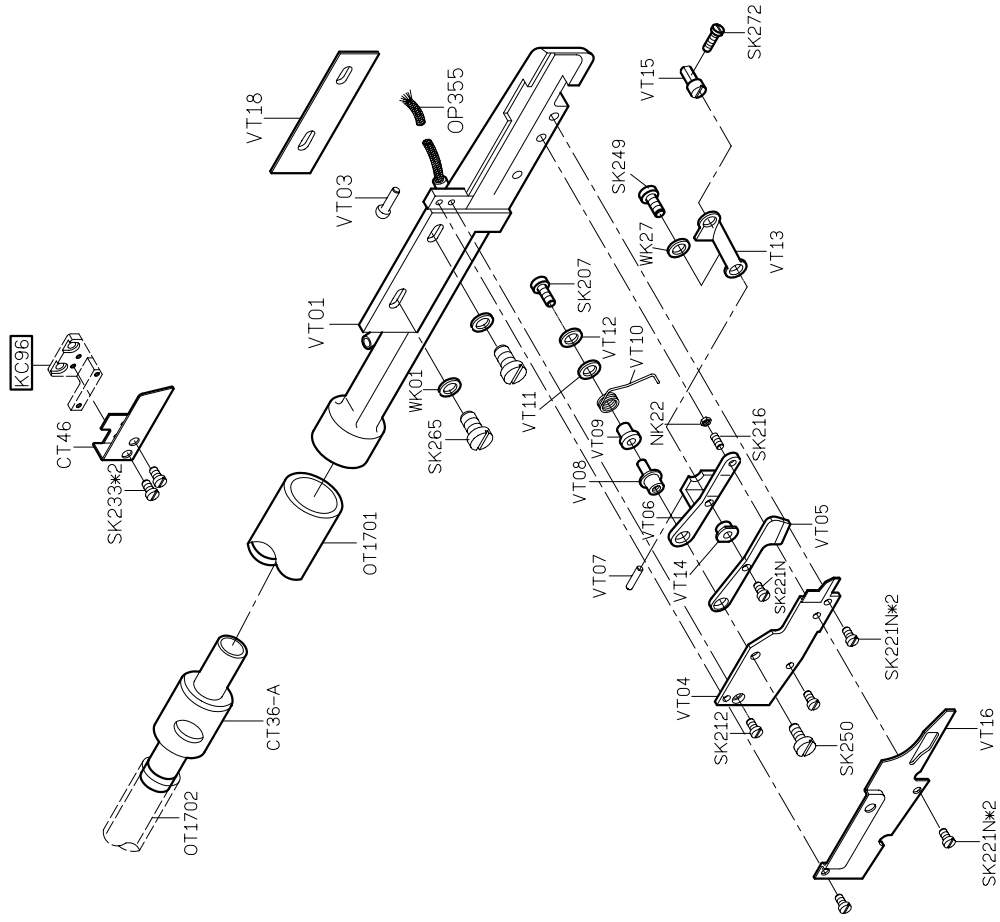
When stitch thin cloth are used.



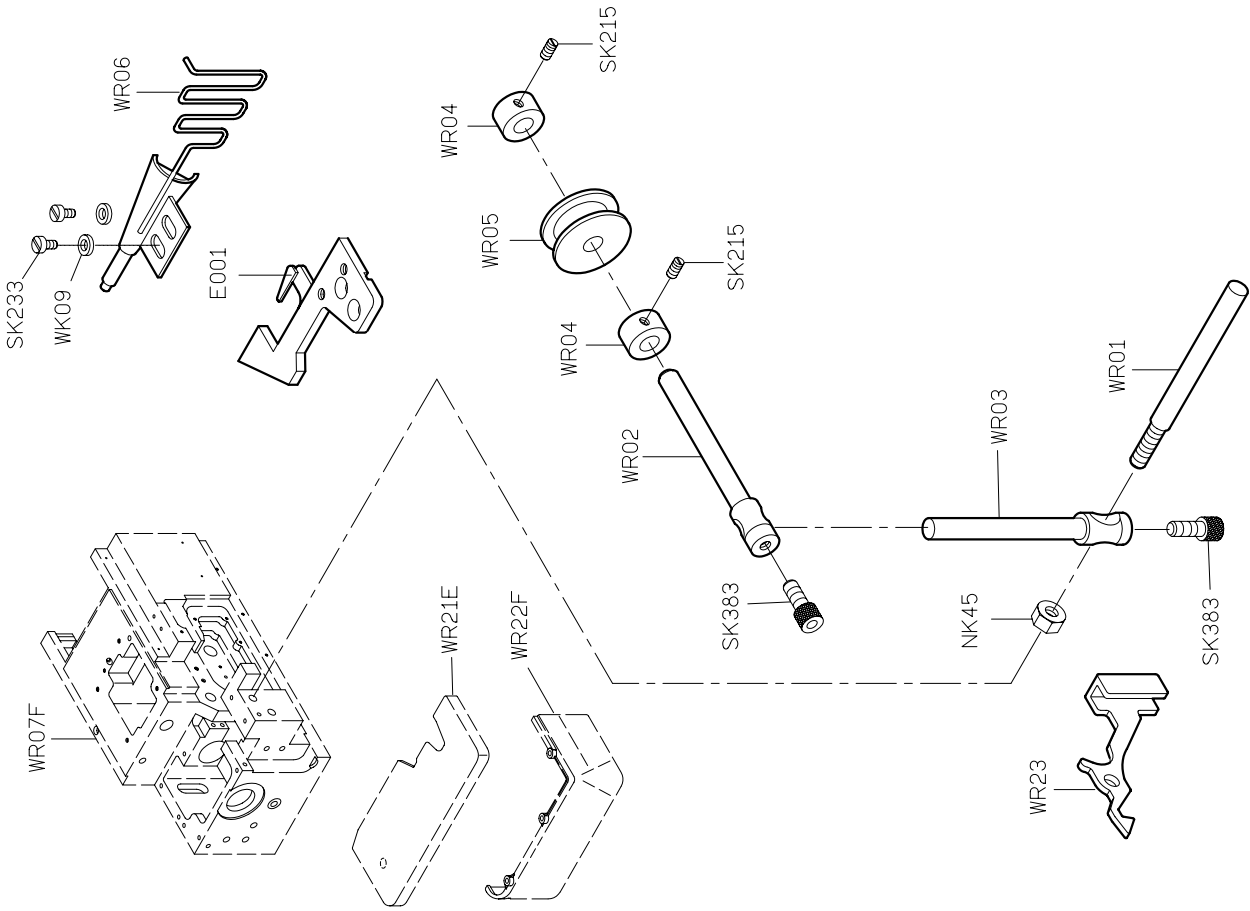


PARTS LIST FOR VT GROUP

MODEL	700F	700H 700HD
PARTS NO		CT46



PARTS LIST FOR WR GROUP





700F

ATTACHMENT

高林股份有限公司 KAULIN MFG. CO., LTD.

From the library of: Diamond Needle Corp